



Service Manual

Dishwasher

ADG 954/2

Model Version		Page
ADG 954/2 8511 954 10351		
	Technical data	2 - 3
	Spare part list	4 - 5
	Exploded view	6 - 9
	Wiring diagram	10
	Circuit diagram	11
	Program diagram	12

Technical data

Dimension

Height	85	cm
Width	44.8	cm
Depth	60	cm
Weight	45	kg

Wooden door

Thickness min.	16	mm
Thickness max.	25	mm
Width min.	445	mm
Width max.	450	mm
Height min.	650	mm
Height max.	720	mm
Weight min.	2.5	kg
Weight max.	6.2	kg
Max. stick out over lower edge of appliance door	90	mm

Specification / PI-Expression (norm. Progr.)

Detergent	25	gr
Saltconsumption by 21 °deg d.H.	28	gr
Water connection up to	60	°C
Capacity	9 stand. place settings	

Volume

Water

Working-level	3.75	l
Safety-level		
- motor on	9.5	l
- motor off	6.5	l
Overflow-level	6.2	l
Detergent	5+25	gr
Clear rinse containing	120	ccm
Rinse dosage per step	1	ccm
Salt container volume	1.35	kg

Flow rates / Inlet volumes

Spray pump	~ 50	l/min
Drain pump	~ 15	l/min
Water inlet electrovalve	~ 3.75	l/min

Water pressure

Inlet pressure min.	0.3	bar
Spraypump pressure	~ 0.3	bar

Rotations

SP-Motor	2680	RPM
DP-Motor	2500	RPM
Spray arm lower	37 ± 5	RPM
Spray arm upper	24 ± 5	RPM

Electrical Data

Base level

Voltage	220/230	V
Frequency	50	Hz
Total power	2200	W
Fuses	10	A

Timer

Model	Eaton ECR 4744.01A
Basic step times	12" - 30" - 1' - 3'
Steps	60

Heating

1 Element system

Voltage	220/230	V
Power consumption	1.87/2.04	kW
Resistance	24.5	Ω
Heating speed	~ 2.0	°C/min
Temperature on surface	~ 115	°C
Safety thermostat self reset	85	°C
Thermofuse	206	°C

Technical data

Motor

Spraypumpmotor

Voltage	220/230	V
Power consumption	150	W
HI	38	Ω
HA	40	Ω
Capacitor	6	μ F
To loos spraypump from motor	turn anti clockwise	
To fit spraypump on motor	turn clockwise	
needed racket spanner	6	mm

Drainpumpmotor

Voltage	220/230	V
Power consumption	23	W
Resistance	200	Ω

Timer Motor

Voltage	220/230	V
Power consumption	3.5	W
Resistance	6450	Ω

Valve

Inlet valve

Voltage	220-240	V
Power consumption	6	W
Resistance	3750	Ω

Regeneration valve

Voltage	220-240	V
Power consumption	6	W
Resistance	3750	Ω

Safty system against water-leakage

Aquastop + floater switch
Floter switches of the inlet valve and on the drain pump

Thermostates

Double thermostat in the Door

NA58

Color code	grey
Temperature	58 °C
closes when temperature is reached	

NC72

Color code	red
Temperature	72 °C
opens when temperature is reached	

Water measuring

Remove the coases sieve, put into the sump a meassuring meter, look the height of the water level

Working level	110	mm
Safety level	125	mm

Pressostat

Working level

Niveau	80/60 ± 3 mm
--------	--------------

Safety level (against overflow)

Niveau	125/75 ± 3mm
--------	--------------

Spare part list

Model ADG 954/2
Service No. 851195410351
Version 851195410351

Pos. No.	12NC Code	Description
003 0	4819 905 01156	Bearer
004 0	4819 905 00572	Drip tray assy
011 0	4819 905 00013	Foot adjustable
012 2	4819 905 01036	Fastener
022 0	4819 905 01253	Side panel right
022 3	4819 905 01254	Side panel left
024 0	4819 905 00469	Panel, rear
024 3	4812 440 19646	Bearer lower, rear
030 0	4819 905 00183	Cover
040 4	4812 417 78017	Fairing spring right
040 5	4812 417 78018	Fairing spring left
041 0	4819 905 01211	Hinge
041 3	4819 905 00005	Pin hinge
044 0	4819 905 01246	Spring f.door
053 0	4819 905 00153	Plinth adjustable
053 1	4819 905 00257	Plinth
100 0	4819 905 00455	Door
100 1	4819 905 00001	Spacer Rubber
110 0	4819 905 01303	Handle protection
120 0	4819 905 01175	Door,inner
130 0	4819 905 01147	Lock
130 1	4819 905 01178	Tilt lock
133 0	4819 905 00121	Lever left
133 1	4819 905 00122	Lever right
156 0	4819 905 00126	Spoon
176 1	4819 905 00036	Protector
176 2	4819 905 01251	Protector
191 0	4819 905 00045	Profile below
191 1	4819 905 00046	Gasket lower tank
191 2	4819 905 00569	Gasket, door from 96/12
200 0	4812 418 18245	Container
200 1	4812 440 19655	Holder tank left
200 2	4812 440 19654	Holder tank right
241 0	4819 905 01207	Basket upper
241 1	4819 905 01216	Holder guide basket
241 2	4819 905 00295	Insert
241 3	4819 905 01224	Wheel,basket upper
241 4	4819 905 01225	Bushing
242 0	4819 905 01208	Basket lower
242 1	4819 905 01213	Plate,support
242 2	4819 905 00675	Wheel,basket lower
243 0	4819 905 00089	Basket cutlery
243 1	4819 905 01238	Holder f.spoons
261 0	4819 905 01214	Guide f.basket
261 1	4819 905 01217	Tailpiece guide
261 2	4819 905 01226	Tailpiece ahead
301 0	4819 905 01304	Control panel
301 1	4819 905 00135	Plate upper left side
301 2	4819 905 00136	Plate upper right side
301 3	4819 905 00156	Key
301 4	4819 905 00456	Fixing mat.set
350 0	4819 905 00166	Indication unit
354 1	4819 905 00012	Pilot lamp green
355 0	4819 905 00453	Buzzer
400 0	4812 361 58147	Motor + spraypump

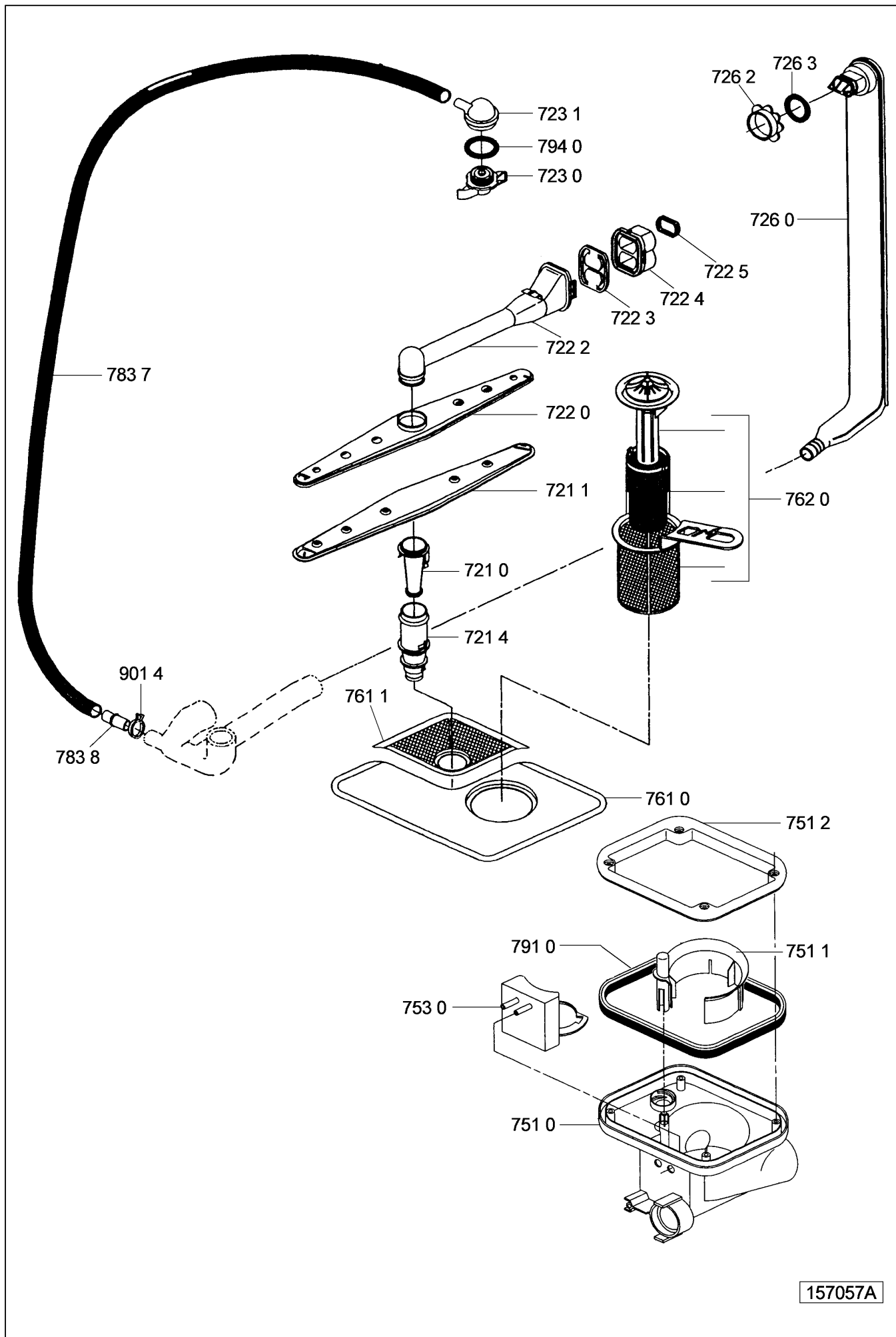
Pos. No.	12NC Code	Description
400 1	4819 905 01199	Bracket
400 2	4819 905 01144	Rubber
405 0	4819 905 01278	Spray pump
420 0	4819 905 00158	Capacitor
421 0	4819 905 00017	Interf.filter
430 0	4819 905 01255	Pump,draining
430 1	4819 905 01151	Gasket
450 0	4812 259 88122	Heating element 2100W
491 0	4819 905 01212	Connectionblock + cable
501 0	4819 905 01301	Timer ECR4744.01A
552 0	4819 905 01084	Thermostat NC 38/48 degree
552 1	4819 905 01305	Thermostat NC 58/70 degree
575 0	4819 905 00686	Regen.valve
581 0	4819 905 01169	Pressostat
583 0	4819 905 01168	Pressostat safety
616 0	4819 905 00021	Sensor salt
620 0	4819 905 01081	Unit,pushbutton
620 1	4819 905 00116	Unit,pushbutton
621 0	4819 905 01079	Unit,pushbutton
621 1	4819 905 00113	Unit,pushbutton
621 2	4819 905 00169	Push button START
621 3	4819 905 00168	Push button ON/OFF
621 4	4819 905 00173	Push button RAPID
621 5	4819 905 00174	Push button ECO
621 6	4819 905 00175	Push button NORMAL
621 7	4819 905 00176	Push button
621 8	4819 905 00172	Push button
623 0	4819 905 01191	Microswitch floater
633 0	4819 905 01146	Microswitch door
680 0	4819 905 01044	Combidosage electr. Indicaton
680 1	4819 905 00026	Gasket border
680 2	4819 905 00027	Fastener combidosage
700 0	4819 905 00463	Hose, inlet aquastop
710 0	4819 905 01252	Monoblock
714 0	4819 905 00107	Stopper
714 1	4819 905 00002	Gasket border
716 0	4819 905 00571	Reg.dosage
716 2	4819 905 00028	Collar
716 5	4819 905 01215	Small plate support
721 0	4819 905 01145	Hub f.sprayer lower
721 1	4819 905 00067	Spray arm below
721 4	4819 905 01236	Flange
722 0	4819 905 01206	Spray arm upper
722 2	4819 905 01227	Connection
722 3	4819 905 01228	Flap
722 4	4819 905 01205	Tailpiece
722 5	4819 905 01223	Gasket
723 0	4819 905 01218	Nozzle ceiling
723 1	4819 905 01219	Connection
726 0	4812 530 28947	Tube
726 2	4819 905 01222	Nut
726 3	4819 905 01221	Gasket
751 0	4812 418 18244	Water collector
751 1	4819 905 01231	Water guide
751 2	4819 905 01155	Flange

Spare part list

Model ADG 954/2
Service No. 851195410351
Version 851195410351

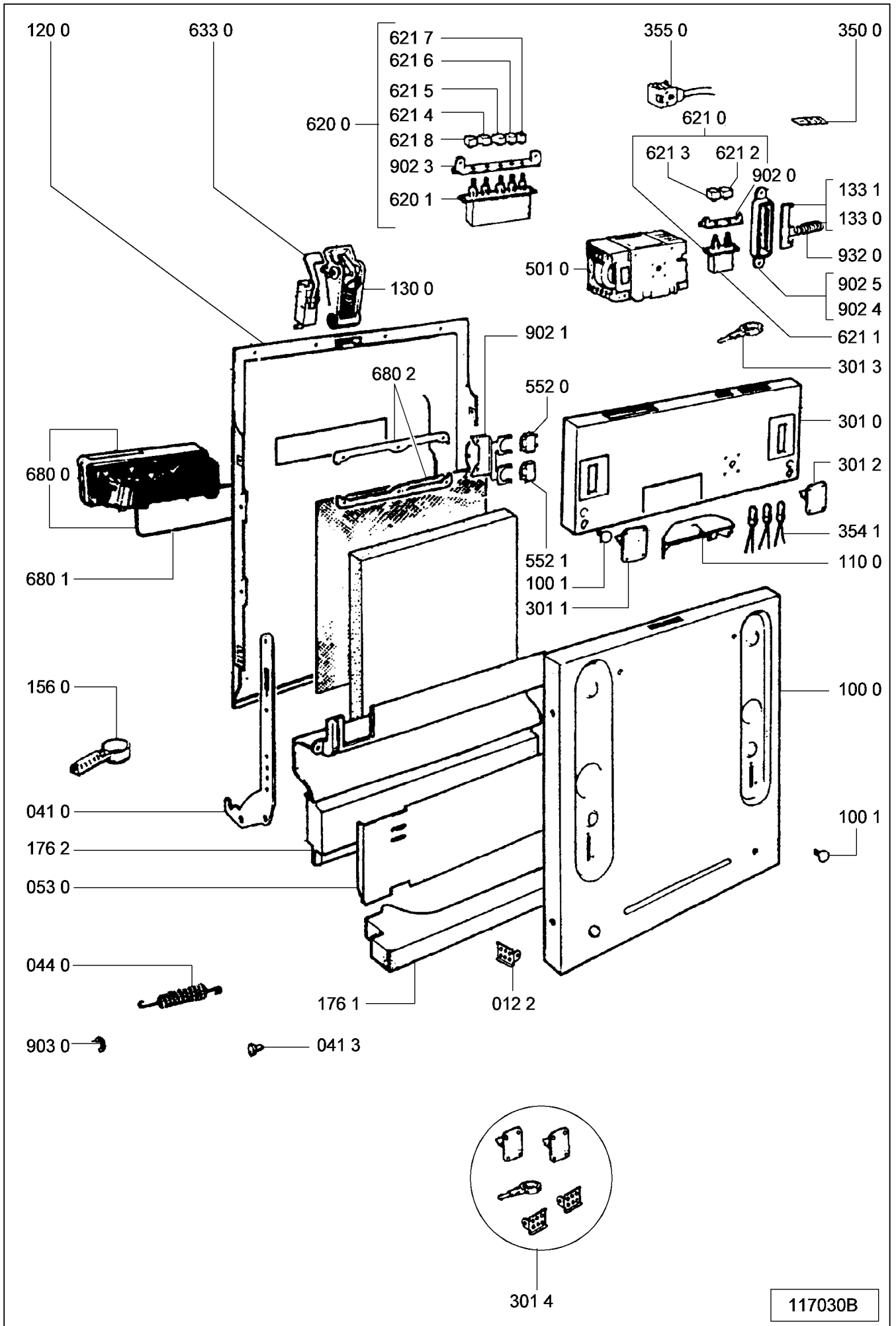
Pos. No.	12NC Code	Description
753 0	4819 905 01229	Chamber,air
755 0	4812 530 28944	Hose heating/sump
756 0	4819 905 01189	Floater
756 1	4819 905 01188	Bearer
761 0	4812 480 58087	Sieve fine
761 1	4819 905 01235	Insert piece sieve
762 0	4819 905 01192	Microfilter
781 0	4819 905 01194	Hose,draining
783 0	4819 905 01186	Hose reg.dosage-watersoftener
783 1	4819 905 01154	Hose watersoftener-sump
783 2	4812 530 28945	Hose heating/spraypump
783 3	4819 905 01153	Hose pressostat
783 5	4812 530 28946	Hose
783 7	4819 905 01196	Hose to ceiling spray
783 8	4819 905 01197	Hose
791 0	4819 905 01152	Gasket sump
794 0	4819 905 01143	Gasket ceiling sprayer
901 4	4819 905 01302	Clamp,hose
901 5	4819 905 00532	Clamp Hose
902 0	4819 905 00127	Holder pushbutton switch right
902 1	4819 905 00162	Holder thermostat
902 2	4819 905 00007	Bracket
902 3	4819 905 00128	Holder pushbutton switch left
902 4	4819 905 00118	Holder left
902 5	4819 905 00119	Holder right
903 0	4819 905 00011	Ring circlip
904 0	4819 905 01142	Stopper
932 0	4819 905 00123	Spring
952 0	4819 905 00137	Collar
952 1	4819 905 00223	O-Ring
993 0	4819 905 00033	Funnel

Exploded view

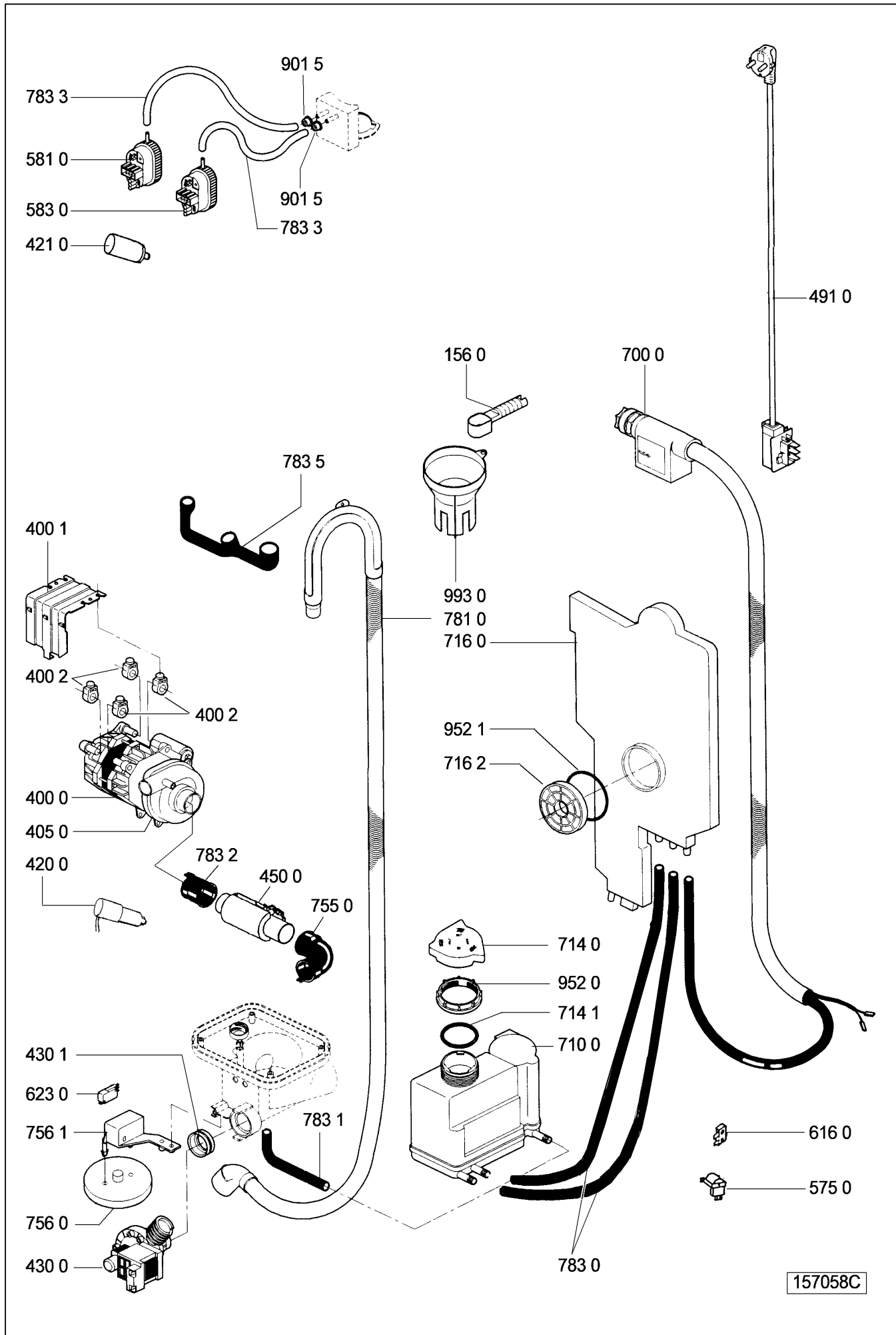


157057A

Exploded view

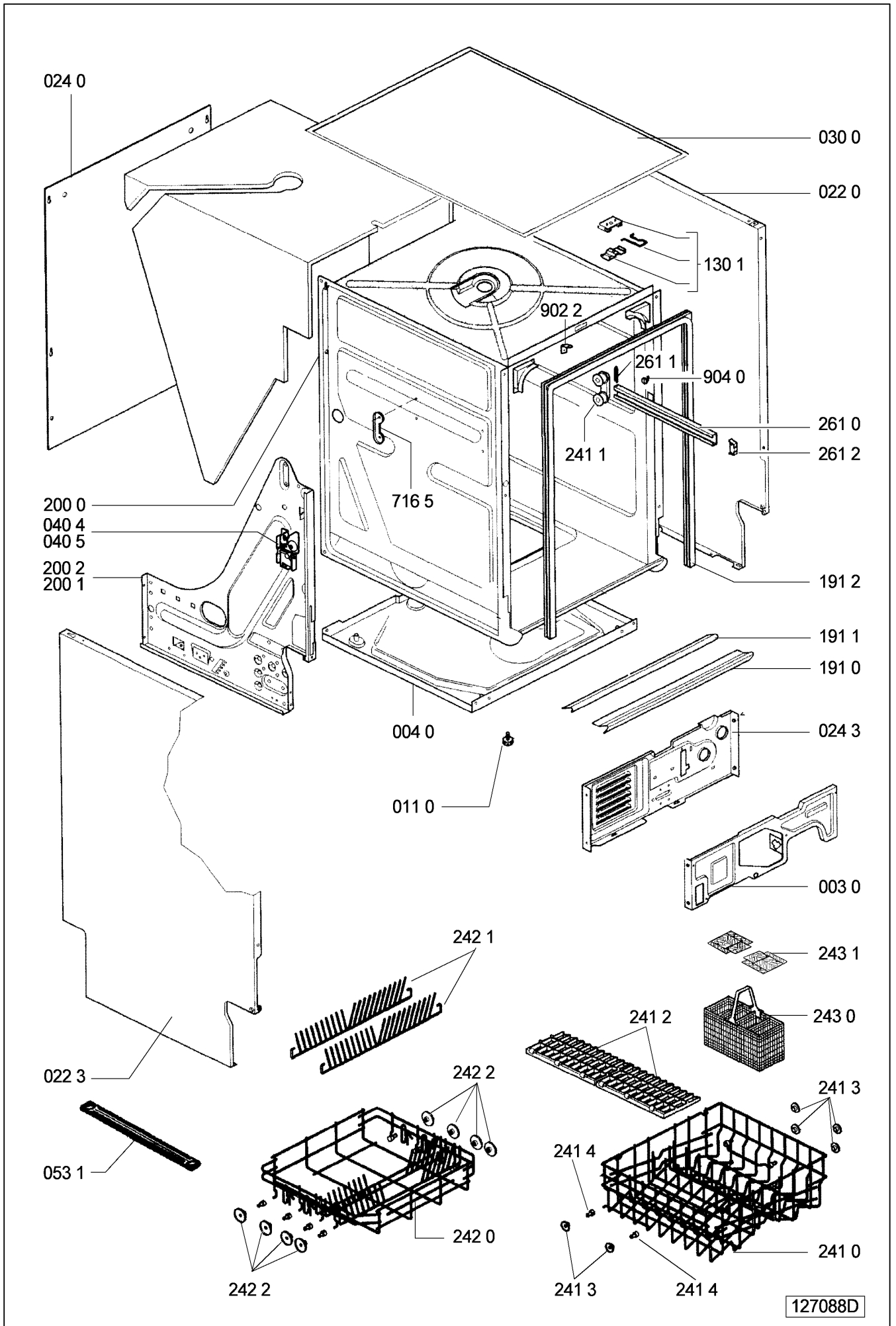


Exploded view

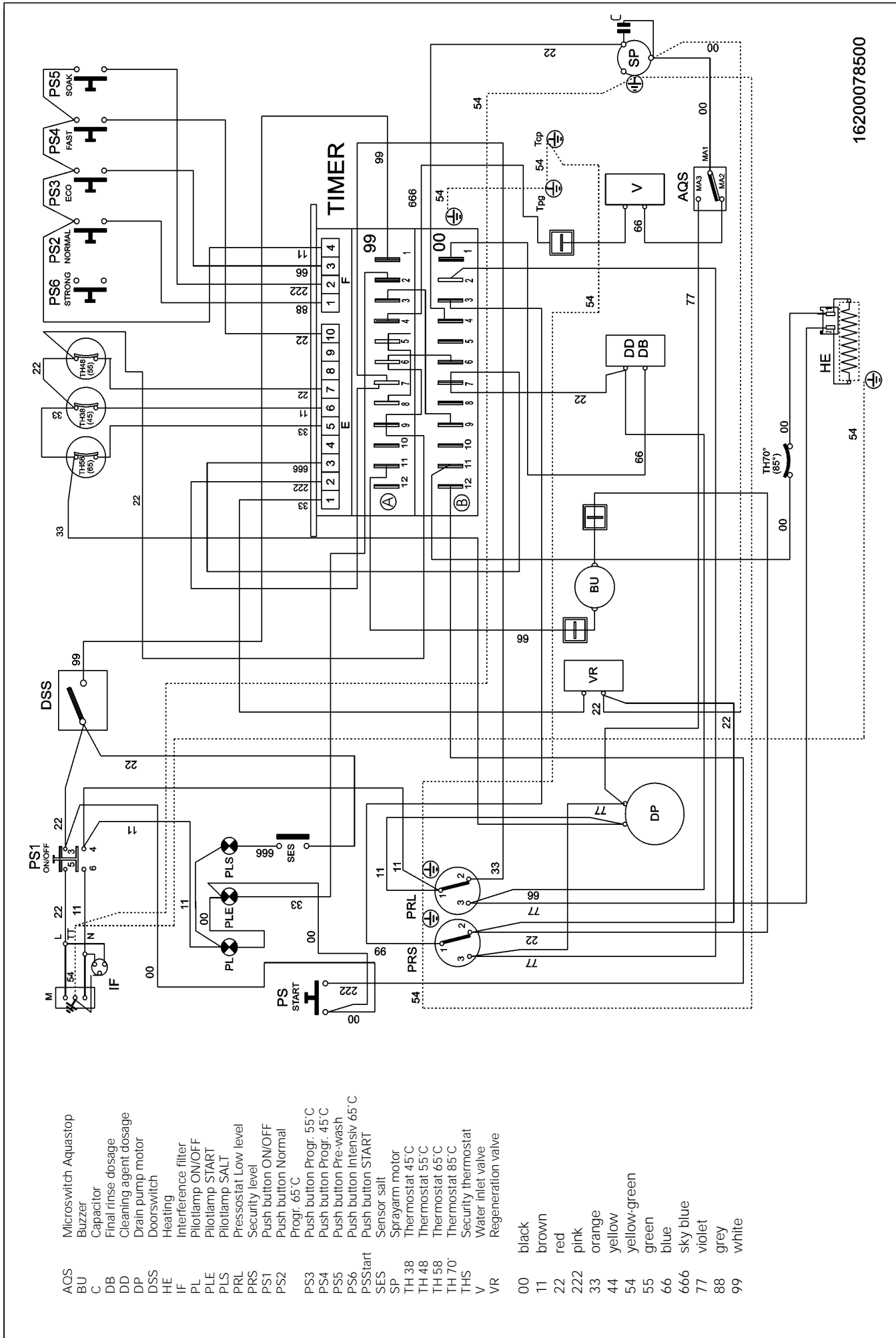


157058C

Exploded view



Wiring diagram

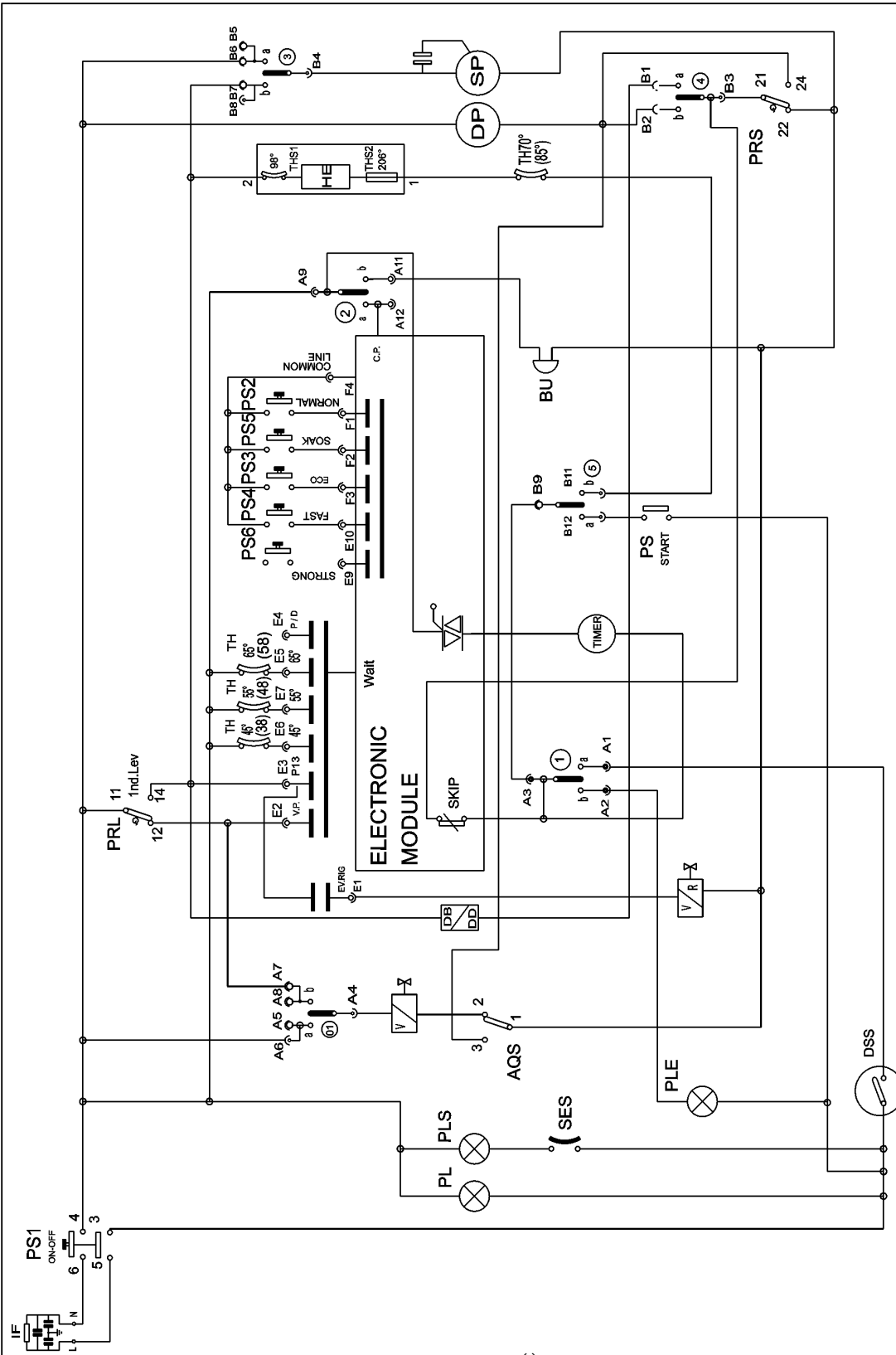


- AOS Microswitch Aquastop
- BU Buzzer
- C Capacitor
- DB Final rinse dosage
- DD Cleaning agent dosage
- DP Drain pump motor
- DSS Door switch
- HE Heating
- IF Interference filter
- PL Pilotlamp ON/OFF
- PLE Pilotlamp START
- PRL Pilotlamp SALT
- PRS Pressostat Low level
- PS1 Security level
- PS2 Push button ON/OFF
- PS3 Push button Normal
- PS4 Push button Progr. 55°C
- PS5 Push button Progr. 45°C
- PS6 Push button Pre-wash
- PSStart Push button Intensiv 65°C
- SES Sensor salt
- SP Sprayarm motor
- TH 38 Thermostat 45°C
- TH 48 Thermostat 55°C
- TH 58 Thermostat 65°C
- TH 70 Thermostat 85°C
- V Security thermostat
- VR Water inlet valve

- 00 black
- 11 brown
- 22 red
- 222 pink
- 33 orange
- 44 yellow
- 54 yellow-green
- 55 green
- 66 blue
- 666 sky blue
- 77 violet
- 88 grey
- 99 white

16200078500

Circuit diagram



- AQS Microswitch Aquastop
- BU Buzzer
- C Capacitor
- DB Final rinse dosage
- DD Cleaning agent dosage
- DP Drain pump motor
- DSS Doorswitch
- HE Heating
- IF Interference filter
- PL Pilotlamp ON/OFF
- PLE Pilotlamp START
- PLS Pilotlamp SALT
- PRL Pressostat Low level
- PRS Security level
- PS1 Push button ON/OFF
- PS2 Push button Normal
- PS3 Progr. 65°C
- PS4 Push button Progr. 55°C
- PS5 Push button Progr. 45°C
- PS6 Push button Pre-wash
- PSStart Push button Intensiv 65°C
- SES Sensor salt
- SP Sprayarm motor
- TH 38 Thermostat 45°C
- TH 48 Thermostat 55°C
- TH 58 Thermostat 65°C
- THS The rmostat 65°C
- V Water inlet valve
- VR Regeneration valve

16200077300

